

# PT Series Power Toroids – Horizontal or Vertical Mount

MOUNTING AVAILABLE

PART NUMBER

IND (μH) ± 15% @ 1 KHz

DCR MAX. (OHMS)

RATED I<sub>dc</sub> (Amps)

FIG. "1" STANDARD VERTICAL

FIG. "2" HORIZONTAL

FIG. "3" VERTICAL 2-LEAD

FIG. "4" VERTICAL 4-LEAD

**Inductance** tested at 1 KHz, <10 gauss and 0 Adc

**DC Resistance** at 25°C

**Rated I<sub>dc</sub>** based on 40°C maximum rise from 25°C ambient with 0 Arms

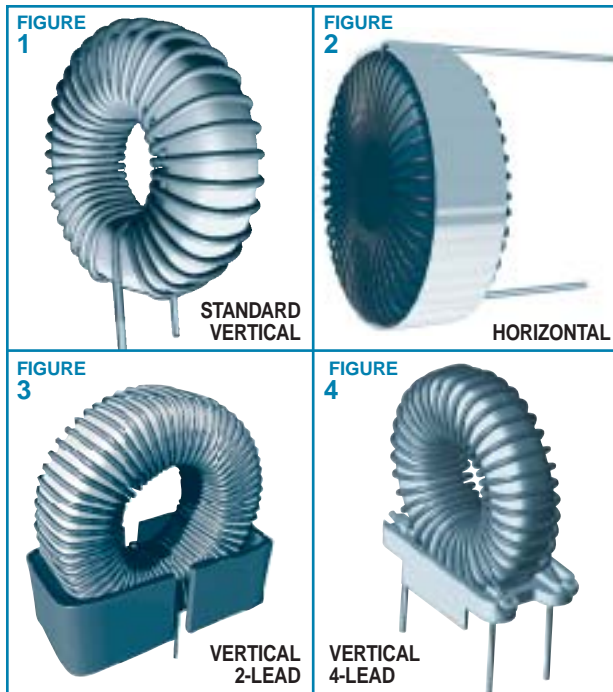
**Windings** single layered to maximize operating frequency and minimize board space

**Self leads** solder coated to within .050" of seating plane

**Other values** available on request

**Packaging** Bulk only

**Mounting** Standard mounting is self-lead radial per Figure "1". Optional mounting methods are self-leaded horizontal per Figure "2" or vertical base mounted per Figures "3" and "4".



| PT SERIES POWER TOROIDS |          |                 |                              |                            |                     |                          |                          |
|-------------------------|----------|-----------------|------------------------------|----------------------------|---------------------|--------------------------|--------------------------|
| PART NUMBER             | IND (μH) | DCR MAX. (OHMS) | RATED I <sub>dc</sub> (Amps) | FIG. "1" STANDARD VERTICAL | FIG. "2" HORIZONTAL | FIG. "3" VERTICAL 2-LEAD | FIG. "4" VERTICAL 4-LEAD |
| PT5-530                 | 5        | 0.015           | 6.1                          | •                          | •                   | •                        |                          |
| PT5-700                 | 5        | 0.012           | 7.4                          | •                          | •                   | •                        |                          |
| PT5-800                 | 5        | 0.010           | 10.6                         | •                          | •                   | •                        |                          |
| PT5-1000                | 5        | 0.008           | 12.8                         | •                          | •                   | •                        |                          |
| PT10-530                | 10       | 0.020           | 4.9                          | •                          | •                   | •                        |                          |
| PT10-680                | 10       | 0.015           | 6.8                          | •                          | •                   | •                        |                          |
| PT10-820                | 10       | 0.010           | 9.3                          | •                          | •                   | •                        |                          |
| PT10-990                | 10       | 0.008           | 13.2                         | •                          | •                   | •                        |                          |
| PT25-680                | 25       | 0.035           | 4.4                          | •                          | •                   | •                        |                          |
| PT25-800                | 25       | 0.025           | 6.6                          | •                          | •                   | •                        |                          |
| PT25-900                | 25       | 0.020           | 7.0                          | •                          | •                   | •                        |                          |
| PT25-1000               | 25       | 0.014           | 10.4                         | •                          | •                   | •                        |                          |
| PT50-780                | 50       | 0.050           | 3.8                          | •                          | •                   | •                        |                          |
| PT50-900                | 50       | 0.030           | 5.6                          | •                          | •                   | •                        |                          |
| PT50-1020               | 50       | 0.025           | 7.0                          | •                          | •                   | •                        |                          |
| PT50-1320               | 50       | 0.020           | 11.0                         | •                          | •                   | •                        |                          |
| PT75-900                | 75       | 0.060           | 3.9                          | •                          | •                   | •                        |                          |
| PT75-980                | 75       | 0.040           | 5.2                          | •                          | •                   | •                        |                          |
| PT75-1260               | 75       | 0.035           | 7.4                          | •                          | •                   | •                        |                          |
| PT75-1550               | 75       | 0.025           | 10.6                         | •                          | •                   | •                        |                          |
| PT100-1000              | 100      | 0.080           | 3.5                          | •                          | •                   | •                        |                          |
| PT100-1100              | 100      | 0.050           | 5.1                          | •                          | •                   | •                        |                          |
| PT100-1260              | 100      | 0.035           | 7.8                          | •                          | •                   | •                        |                          |
| PT100-1550              | 100      | 0.028           | 10.3                         | •                          | •                   | •                        |                          |
| PT150-1040              | 150      | 0.100           | 3.4                          | •                          | •                   | •                        |                          |
| PT150-1250              | 150      | 0.060           | 5.7                          | •                          | •                   | •                        |                          |
| PT150-1500              | 150      | 0.050           | 7.7                          | •                          | •                   | •                        | •                        |
| PT150-2050              | 150      | 0.040           | 12.3                         | •                          | •                   | •                        |                          |
| PT250-1200              | 250      | 0.130           | 3.8                          | •                          | •                   | •                        |                          |
| PT250-1500              | 250      | 0.080           | 6.1                          | •                          | •                   | •                        | •                        |
| PT250-1800              | 250      | 0.055           | 9.1                          | •                          | •                   | •                        |                          |
| PT300-1200              | 300      | 0.150           | 3.3                          | •                          | •                   | •                        |                          |
| PT300-1500              | 300      | 0.100           | 5.5                          | •                          | •                   | •                        | •                        |
| PT300-1750              | 300      | 0.075           | 7.3                          | •                          | •                   | •                        |                          |
| PT400-1200              | 400      | 0.250           | 2.4                          | •                          | •                   | •                        |                          |
| PT400-1500              | 400      | 0.180           | 4.7                          | •                          | •                   | •                        | •                        |
| PT400-1750              | 400      | 0.110           | 6.0                          | •                          | •                   | •                        |                          |
| PT500-1450              | 500      | 0.220           | 3.4                          | •                          | •                   | •                        |                          |
| PT500-1750              | 500      | 0.160           | 5.0                          | •                          | •                   | •                        | •                        |
| PT500-2000              | 500      | 0.090           | 8.0                          | •                          | •                   | •                        |                          |
| PT750-1400              | 750      | 0.350           | 2.6                          | •                          | •                   | •                        |                          |
| PT750-1700              | 750      | 0.280           | 3.7                          | •                          | •                   | •                        | •                        |
| PT750-2050              | 750      | 0.150           | 6.4                          | •                          | •                   | •                        |                          |
| PT1000-1400             | 1000     | 0.620           | 1.8                          | •                          | •                   | •                        |                          |
| PT1000-1750             | 1000     | 0.420           | 3.1                          | •                          | •                   | •                        | •                        |
| PT1000-2050             | 1000     | 0.200           | 5.9                          | •                          | •                   | •                        |                          |

POWER INDUCTORS

**Notes to Figure 5 (Page 95)** The PT Toroid Series inductance is specified at AC and DC signal levels which have no significant effect on the permeability of the powdered iron toroidal core. Superimposed AC and DC voltages will change the permeability and therefore the inductance, under operating conditions. Typically, DC currents will reduce the inductance, while AC signals will increase the inductance up to a point, before beginning to decrease. Supporting information is provided, detailing the AC or DC effects upon each part. Saturation resulting from DC currents is specified with waveform having less than a 1% ripple content. When considering the AC waveform, both the frequency and voltage level must be taken into account. As an aid in defining what effect the alternating sine wave signal will have, the voltage/frequency factor curve can be used. To determine what change of inductance can be expected at a given voltage level and frequency, simply divide the sinusoidal RMS voltage by the frequency. The voltage is in volts and the frequency is in hertz. As an example, if using part number PT25-680 at a 1VRMS signal level, and a frequency of 25KHz, the voltage/frequency factor is calculated to be: 1VRMS/25,000Hz = 40 x 10<sup>-6</sup>. Referring to the graph, a 39% increase in inductance would be expected.

**Notes to Figure 6 (Page 95)** Typical saturation effects as a function of DC flowing through the part. Data is representative of a DC waveform with less than 1% ripple, and an AC waveform less than 10 gauss.

**Note** This information is intended to be used in assisting the designer in part selection. Each operating application may contain other variables which must be considered in part selection; such as temperature effects, waveform distortion, etc.... Delevan Sales/Engineering staff is available to provide information as needed to fit each application.

# PT Series Power Toroids

www.DataSheet4U.com

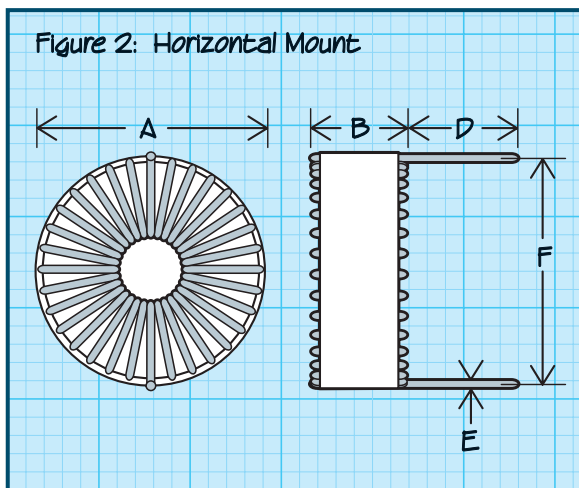
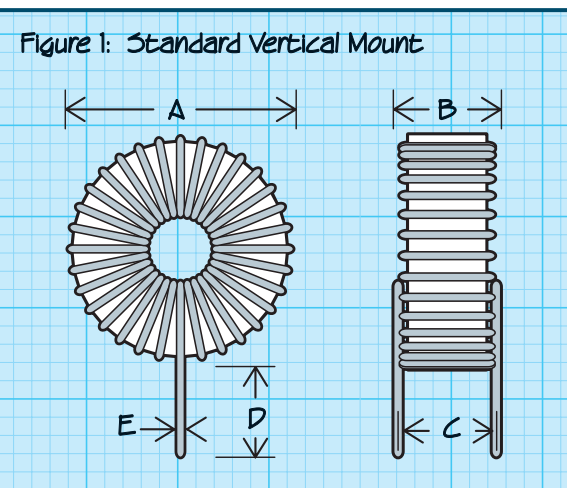
**ELECTRICAL**  
 PART NUMBER\*  
 IND.(μH) ± 15% @ 1 KHz  
 DCR MAX. (OHMS)  
 RATED Idc (Amps)

**PHYSICAL PARAMETERS**  
 A Max. Inches mm  
 B Max. Inches mm  
 C Nominal Inches mm  
 D Min. Inches mm  
 E Nominal Inches mm  
 F Nominal Inches mm

## PT SERIES POWER TOROIDS

| Part Number | IND. (μH) | DCR MAX. (OHMS) | RATED I <sub>dc</sub> (Amps) | A Max. (Inches) | A Max. (mm) | B Max. (Inches) | B Max. (mm) | C Nominal (Inches) | C Nominal (mm) | D Min. (Inches) | D Min. (mm) | E Nominal (Inches) | E Nominal (mm) | F Nominal (Inches) | F Nominal (mm) |
|-------------|-----------|-----------------|------------------------------|-----------------|-------------|-----------------|-------------|--------------------|----------------|-----------------|-------------|--------------------|----------------|--------------------|----------------|
| PT5-530     | 5         | 0.015           | 6.1                          | 0.53            | 13.46       | 0.23            | 5.84        | 0.17               | 4.32           | 0.50            | 12.7        | 0.025              | 0.64           | 0.450              | 11.43          |
| PT5-700     | 5         | 0.012           | 7.4                          | 0.70            | 17.78       | 0.33            | 8.38        | 0.24               | 6.10           | 0.50            | 12.7        | 0.032              | 0.81           | 0.600              | 15.24          |
| PT5-800     | 5         | 0.010           | 10.6                         | 0.80            | 20.32       | 0.36            | 9.14        | 0.31               | 7.87           | 0.50            | 12.7        | 0.040              | 1.02           | 0.720              | 18.30          |
| PT5-1000    | 5         | 0.008           | 12.8                         | 1.00            | 25.40       | 0.40            | 10.16       | 0.34               | 8.64           | 0.50            | 12.7        | 0.051              | 1.30           | 0.950              | 24.13          |
| PT10-530    | 10        | 0.020           | 4.9                          | 0.53            | 13.46       | 0.23            | 5.84        | 0.17               | 4.32           | 0.50            | 12.7        | 0.025              | 0.64           | 0.450              | 11.43          |
| PT10-680    | 10        | 0.015           | 6.8                          | 0.68            | 17.27       | 0.33            | 8.38        | 0.24               | 6.10           | 0.50            | 12.7        | 0.032              | 0.81           | 0.600              | 15.24          |
| PT10-820    | 10        | 0.010           | 9.3                          | 0.82            | 20.83       | 0.37            | 9.40        | 0.29               | 7.37           | 0.50            | 12.7        | 0.040              | 1.02           | 0.720              | 18.30          |
| PT10-990    | 10        | 0.008           | 13.2                         | 0.99            | 25.15       | 0.40            | 10.16       | 0.34               | 8.64           | 0.50            | 12.7        | 0.051              | 1.30           | 0.950              | 24.13          |
| PT25-680    | 25        | 0.035           | 4.4                          | 0.68            | 17.27       | 0.37            | 9.40        | 0.29               | 7.37           | 0.50            | 12.7        | 0.025              | 0.64           | 0.580              | 14.73          |
| PT25-800    | 25        | 0.025           | 6.6                          | 0.80            | 20.32       | 0.35            | 8.89        | 0.28               | 7.11           | 0.50            | 12.7        | 0.032              | 0.81           | 0.700              | 17.78          |
| PT25-900    | 25        | 0.020           | 7.0                          | 0.90            | 22.86       | 0.40            | 10.16       | 0.30               | 7.62           | 0.50            | 12.7        | 0.040              | 1.02           | 0.820              | 20.83          |
| PT25-1000   | 25        | 0.014           | 10.4                         | 1.00            | 25.40       | 0.40            | 10.16       | 0.37               | 9.40           | 0.50            | 12.7        | 0.051              | 1.30           | 0.950              | 24.13          |
| PT50-780    | 50        | 0.050           | 3.8                          | 0.78            | 19.81       | 0.36            | 9.14        | 0.27               | 6.86           | 0.50            | 12.7        | 0.025              | 0.64           | 0.680              | 17.27          |
| PT50-900    | 50        | 0.030           | 5.6                          | 0.90            | 22.86       | 0.38            | 9.65        | 0.30               | 7.62           | 0.50            | 12.7        | 0.032              | 0.81           | 0.790              | 20.07          |
| PT50-1020   | 50        | 0.025           | 7.0                          | 1.02            | 25.91       | 0.62            | 15.75       | 0.43               | 10.92          | 0.50            | 12.7        | 0.040              | 1.02           | 0.920              | 23.37          |
| PT50-1320   | 50        | 0.020           | 11.0                         | 1.32            | 33.53       | 0.63            | 16.00       | 0.53               | 13.46          | 0.50            | 12.7        | 0.051              | 1.30           | 1.220              | 30.99          |
| PT75-900    | 75        | 0.060           | 3.9                          | 0.90            | 22.86       | 0.36            | 9.14        | 0.29               | 7.37           | 0.50            | 12.7        | 0.025              | 0.64           | 0.770              | 19.56          |
| PT75-980    | 75        | 0.040           | 5.2                          | 0.98            | 24.89       | 0.38            | 9.65        | 0.30               | 7.62           | 0.50            | 12.7        | 0.032              | 0.81           | 0.890              | 22.61          |
| PT75-1260   | 75        | 0.035           | 7.4                          | 1.26            | 32.00       | 0.60            | 15.24       | 0.49               | 12.45          | 0.50            | 12.7        | 0.040              | 1.02           | 1.200              | 30.48          |
| PT75-1550   | 75        | 0.025           | 10.6                         | 1.55            | 39.37       | 0.64            | 16.26       | 0.53               | 13.46          | 0.50            | 12.7        | 0.051              | 1.30           | 1.500              | 38.10          |
| PT100-1000  | 100       | 0.080           | 3.5                          | 1.00            | 25.40       | 0.36            | 9.14        | 0.29               | 7.37           | 0.50            | 12.7        | 0.025              | 0.64           | 0.880              | 22.35          |
| PT100-1100  | 100       | 0.050           | 5.1                          | 1.10            | 27.94       | 0.50            | 12.70       | 0.42               | 10.67          | 0.50            | 12.7        | 0.032              | 0.81           | 0.890              | 22.61          |
| PT100-1260  | 100       | 0.035           | 7.8                          | 1.26            | 32.00       | 0.60            | 15.24       | 0.49               | 12.45          | 0.50            | 12.7        | 0.040              | 1.02           | 1.200              | 30.48          |
| PT100-1550  | 100       | 0.028           | 10.3                         | 1.55            | 39.37       | 0.64            | 16.26       | 0.53               | 13.46          | 0.50            | 12.7        | 0.051              | 1.30           | 1.500              | 38.10          |
| PT150-1040  | 150       | 0.100           | 3.4                          | 1.04            | 26.42       | 0.50            | 12.70       | 0.41               | 10.41          | 0.50            | 12.7        | 0.025              | 0.64           | 0.880              | 22.35          |
| PT150-1250  | 150       | 0.060           | 5.7                          | 1.25            | 31.75       | 0.58            | 14.73       | 0.48               | 12.19          | 0.50            | 12.7        | 0.032              | 0.81           | 1.160              | 29.46          |
| PT150-1500  | 150       | 0.050           | 7.7                          | 1.50            | 38.10       | 0.62            | 15.75       | 0.50               | 12.70          | 0.50            | 12.7        | 0.040              | 1.02           | 1.420              | 36.07          |
| PT150-2050  | 150       | 0.040           | 12.3                         | 2.05            | 52.07       | 0.92            | 23.37       | 0.80               | 20.32          | 0.50            | 12.7        | 0.051              | 1.30           | 2.000              | 50.80          |
| PT250-1200  | 250       | 0.130           | 3.8                          | 1.20            | 30.48       | 0.55            | 13.97       | 0.49               | 12.45          | 0.50            | 12.7        | 0.025              | 0.64           | 1.200              | 30.48          |
| PT250-1500  | 250       | 0.080           | 6.1                          | 1.50            | 38.10       | 0.60            | 15.24       | 0.50               | 12.70          | 0.50            | 12.7        | 0.036              | 0.91           | 1.450              | 36.83          |
| PT250-1800  | 250       | 0.055           | 9.1                          | 1.80            | 45.72       | 0.77            | 19.56       | 0.69               | 17.53          | 0.50            | 12.7        | 0.051              | 1.30           | 1.750              | 44.45          |
| PT300-1200  | 300       | 0.150           | 3.3                          | 1.20            | 30.48       | 0.55            | 13.97       | 0.48               | 12.19          | 0.50            | 12.7        | 0.025              | 0.64           | 1.200              | 30.48          |
| PT300-1500  | 300       | 0.100           | 5.5                          | 1.50            | 38.10       | 0.60            | 15.24       | 0.51               | 12.95          | 0.50            | 12.7        | 0.032              | 0.81           | 1.400              | 35.56          |
| PT300-1750  | 300       | 0.075           | 7.3                          | 1.75            | 44.45       | 0.76            | 19.30       | 0.65               | 16.51          | 0.50            | 12.7        | 0.045              | 1.14           | 1.750              | 44.45          |
| PT400-1200  | 400       | 0.250           | 2.4                          | 1.20            | 30.48       | 0.55            | 13.97       | 0.48               | 12.19          | 0.50            | 12.7        | 0.020              | 0.51           | 1.150              | 29.21          |
| PT400-1500  | 400       | 0.180           | 4.7                          | 1.50            | 38.10       | 0.60            | 15.24       | 0.50               | 12.70          | 0.50            | 12.7        | 0.025              | 0.64           | 1.400              | 35.56          |
| PT400-1750  | 400       | 0.110           | 6.0                          | 1.75            | 44.45       | 0.78            | 19.81       | 0.70               | 17.78          | 0.50            | 12.7        | 0.040              | 1.02           | 1.750              | 44.45          |
| PT500-1450  | 500       | 0.220           | 3.4                          | 1.45            | 36.83       | 0.58            | 14.73       | 0.50               | 12.70          | 0.50            | 12.7        | 0.025              | 0.64           | 1.400              | 35.56          |
| PT500-1750  | 500       | 0.160           | 5.0                          | 1.75            | 44.45       | 0.75            | 19.05       | 0.62               | 15.75          | 0.50            | 12.7        | 0.036              | 0.91           | 1.700              | 43.18          |
| PT500-2000  | 500       | 0.090           | 8.0                          | 2.05            | 52.07       | 0.88            | 22.35       | 0.76               | 19.30          | 0.50            | 12.7        | 0.045              | 1.14           | 2.000              | 50.80          |
| PT750-1400  | 750       | 0.350           | 2.6                          | 1.40            | 35.56       | 0.55            | 13.97       | 0.48               | 12.19          | 0.50            | 12.7        | 0.020              | 0.51           | 1.400              | 35.56          |
| PT750-1700  | 750       | 0.280           | 3.7                          | 1.70            | 43.18       | 0.70            | 17.78       | 0.62               | 15.75          | 0.50            | 12.7        | 0.025              | 0.64           | 1.660              | 42.16          |
| PT750-2050  | 750       | 0.150           | 6.4                          | 2.05            | 52.07       | 0.85            | 21.59       | 0.78               | 19.81          | 0.50            | 12.7        | 0.036              | 0.91           | 2.000              | 50.80          |
| PT1000-1400 | 1000      | 0.620           | 1.8                          | 1.40            | 35.56       | 0.55            | 13.97       | 0.48               | 12.19          | 0.50            | 12.7        | 0.016              | 0.41           | 1.360              | 34.54          |
| PT1000-1750 | 1000      | 0.420           | 3.1                          | 1.75            | 44.45       | 0.70            | 17.78       | 0.62               | 15.75          | 0.50            | 12.7        | 0.025              | 0.64           | 1.660              | 42.16          |
| PT1000-2050 | 1000      | 0.200           | 5.9                          | 2.05            | 52.07       | 0.85            | 21.59       | 0.78               | 19.81          | 0.50            | 12.7        | 0.032              | 0.81           | 2.000              | 50.80          |

\*Part Number Vertical configuration is standard; add suffix "HM" for horizontal mounting



POWER INDUCTORS

# PT Series Power Toroids

www.DataSheet4U.com

PART NUMBER

IND ( $\mu\text{H}$ )  $\pm 15\%$  @ 1 KHz

DCR MAX. (OHMS)

RATED  $I_{dc}$  (Amps)

FIGURE #

Inches

A Max.  
mm

Inches

B Max.  
mm

Inches

C Typical  
mm

Inches

D Typical  
mm

Inches

E Max.  
mm

Inches

F Typical  
mm

Inches

## PT SERIES HORIZONTAL MOUNT POWER TOROIDS

| Part Number    | IND ( $\mu\text{H}$ ) $\pm 15\%$ @ 1 KHz | DCR MAX. (OHMS) | RATED $I_{dc}$ (Amps) | FIGURE # | A Max. (Inches) | A Max. (mm) | B Max. (Inches) | B Max. (mm) | C Typical (Inches) | C Typical (mm) | D Typical (Inches) | D Typical (mm) | E Max. (Inches) | E Max. (mm) | F Typical (Inches) | F Typical (mm) |
|----------------|--|-----------------|-----------------------|----------|-----------------|-------------|-----------------|-------------|--------------------|----------------|--------------------|----------------|-----------------|-------------|--------------------|----------------|
| PT5-530-VM     | 5  | 0.015           | 6.1                   | 3        | 0.580           | 14.73       | 0.340           | 8.64        | 0.220              | 5.59           | 0.025              | 0.63           | 0.640           | 16.26       | 0.290              | 7.37           |
| PT5-700-VM     | 5  | 0.012           | 7.4                   | 3        | 0.650           | 16.51       | 0.450           | 11.43       | 0.300              | 7.62           | 0.032              | 0.81           | 0.810           | 20.57       | 0.325              | 8.25           |
| PT5-800-VM     | 5  | 0.010           | 10.6                  | 3        | 0.830           | 21.08       | 0.450           | 11.43       | 0.300              | 7.62           | 0.040              | 1.02           | 0.910           | 23.11       | 0.415              | 10.54          |
| PT10-530-VM    | 10                                       | 0.020           | 4.9                   | 3        | 0.580           | 14.73       | 0.340           | 8.64        | 0.220              | 5.59           | 0.025              | 0.63           | 0.640           | 16.26       | 0.290              | 7.37           |
| PT10-680-VM    | 10                                       | 0.015           | 6.8                   | 3        | 0.650           | 16.51       | 0.450           | 11.43       | 0.300              | 7.62           | 0.032              | 0.81           | 0.790           | 20.07       | 0.325              | 8.25           |
| PT10-820-VM    | 10                                       | 0.010           | 9.3                   | 3        | 0.830           | 21.08       | 0.450           | 11.43       | 0.300              | 7.62           | 0.040              | 1.02           | 0.930           | 23.62       | 0.415              | 10.54          |
| PT25-680-VM    | 25                                       | 0.035           | 4.4                   | 3        | 0.650           | 16.51       | 0.450           | 11.43       | 0.300              | 7.62           | 0.025              | 0.63           | 0.790           | 20.07       | 0.325              | 8.25           |
| PT25-800-VM    | 25                                       | 0.025           | 6.6                   | 3        | 0.830           | 21.08       | 0.450           | 11.43       | 0.300              | 7.62           | 0.032              | 0.81           | 0.910           | 23.11       | 0.415              | 10.54          |
| PT25-900-VM    | 25                                       | 0.020           | 7.0                   | 3        | 0.950           | 24.13       | 0.600           | 15.24       | 0.450              | 11.43          | 0.040              | 1.02           | 1.010           | 25.65       | 0.475              | 12.06          |
| PT50-780-VM    | 50                                       | 0.050           | 3.8                   | 3        | 0.830           | 21.08       | 0.450           | 11.43       | 0.300              | 7.62           | 0.025              | 0.63           | 0.890           | 22.61       | 0.415              | 10.54          |
| PT50-900-VM    | 50                                       | 0.030           | 5.6                   | 3        | 0.830           | 21.08       | 0.450           | 11.43       | 0.300              | 7.62           | 0.032              | 0.81           | 1.110           | 28.19       | 0.415              | 10.54          |
| PT50-1020-VM   | 50                                       | 0.025           | 7.0                   | 3        | 1.250           | 31.75       | 0.700           | 17.78       | 0.500              | 12.70          | 0.040              | 1.02           | 1.130           | 28.70       | 0.625              | 15.87          |
| PT75-900-VM    | 75                                       | 0.060           | 3.9                   | 3        | 0.950           | 24.13       | 0.600           | 15.24       | 0.450              | 11.43          | 0.025              | 0.63           | 1.010           | 25.65       | 0.475              | 12.06          |
| PT75-980-VM    | 75                                       | 0.040           | 5.2                   | 3        | 0.950           | 24.13       | 0.600           | 15.24       | 0.450              | 11.43          | 0.032              | 0.81           | 1.090           | 27.69       | 0.475              | 12.06          |
| PT75-1260-VM   | 75                                       | 0.035           | 7.4                   | 3        | 1.250           | 31.75       | 0.700           | 17.78       | 0.500              | 12.70          | 0.040              | 1.02           | 1.390           | 35.31       | 0.625              | 15.87          |
| PT100-1000-VM  | 100                                      | 0.080           | 3.5                   | 3        | 0.950           | 24.13       | 0.600           | 15.24       | 0.450              | 11.43          | 0.025              | 0.63           | 1.130           | 28.70       | 0.475              | 12.06          |
| PT100-1100-VM  | 100                                      | 0.050           | 5.1                   | 3        | 0.950           | 24.13       | 0.600           | 15.24       | 0.450              | 11.43          | 0.032              | 0.81           | 1.230           | 31.24       | 0.475              | 12.06          |
| PT100-1260-VM  | 100                                      | 0.035           | 7.8                   | 3        | 1.250           | 31.75       | 0.700           | 17.78       | 0.500              | 12.70          | 0.040              | 1.02           | 1.390           | 35.31       | 0.625              | 15.87          |
| PT150-1040-VM  | 150                                      | 0.100           | 3.4                   | 3        | 0.950           | 24.13       | 0.600           | 15.24       | 0.450              | 11.43          | 0.025              | 0.63           | 1.170           | 29.72       | 0.475              | 12.06          |
| PT150-1250-VM  | 150                                      | 0.060           | 5.7                   | 3        | 1.250           | 31.75       | 0.700           | 17.78       | 0.500              | 12.70          | 0.032              | 0.81           | 1.380           | 35.05       | 0.625              | 15.87          |
| PT150-1500-VM  | 150                                      | 0.050           | 7.7                   | 4        | 1.500           | 38.10       | 0.800           | 20.32       | 0.600              | 15.24          | 0.050              | 1.27           | 1.630           | 41.40       | 0.900              | 22.86          |
| PT250-1200-VM  | 250                                      | 0.130           | 3.8                   | 3        | 1.250           | 31.75       | 0.700           | 17.78       | 0.500              | 12.70          | 0.025              | 0.63           | 1.330           | 33.78       | 0.625              | 15.87          |
| PT250-1500-VM  | 250                                      | 0.080           | 6.1                   | 4        | 1.500           | 38.10       | 0.800           | 20.32       | 0.600              | 15.24          | 0.050              | 1.27           | 1.630           | 41.40       | 0.900              | 22.86          |
| PT300-1200-VM  | 300                                      | 0.150           | 3.3                   | 3        | 1.250           | 31.75       | 0.700           | 17.78       | 0.500              | 12.70          | 0.025              | 0.63           | 1.330           | 33.78       | 0.625              | 15.87          |
| PT300-1500-VM  | 300                                      | 0.100           | 5.5                   | 4        | 1.500           | 38.10       | 0.800           | 20.32       | 0.600              | 15.24          | 0.050              | 1.27           | 1.630           | 41.40       | 0.900              | 22.86          |
| PT400-1200-VM  | 400                                      | 0.250           | 2.4                   | 3        | 1.250           | 31.75       | 0.700           | 17.78       | 0.500              | 12.70          | 0.020              | 0.51           | 1.330           | 33.78       | 0.625              | 15.87          |
| PT400-1500-VM  | 400                                      | 0.180           | 4.7                   | 4        | 1.500           | 38.10       | 0.800           | 20.32       | 0.600              | 15.24          | 0.050              | 1.27           | 1.630           | 41.40       | 0.900              | 22.86          |
| PT400-1750-VM  | 400                                      | 0.110           | 6.0                   | 4        | 1.750           | 44.45       | 0.900           | 22.86       | 0.700              | 17.78          | 0.050              | 1.27           | 1.880           | 47.75       | 0.900              | 22.86          |
| PT500-1450-VM  | 500                                      | 0.220           | 3.4                   | 4        | 1.450           | 36.83       | 0.800           | 20.32       | 0.600              | 15.24          | 0.050              | 1.27           | 1.580           | 40.13       | 0.900              | 22.86          |
| PT500-1750-VM  | 500                                      | 0.160           | 5.0                   | 4        | 1.750           | 44.45       | 0.900           | 22.86       | 0.700              | 17.78          | 0.050              | 1.27           | 1.880           | 47.75       | 1.200              | 30.48          |
| PT750-1400-VM  | 750                                      | 0.350           | 2.6                   | 4        | 1.400           | 35.56       | 0.800           | 20.32       | 0.600              | 15.24          | 0.050              | 1.27           | 1.530           | 38.86       | 0.900              | 22.86          |
| PT750-1700-VM  | 750                                      | 0.280           | 3.7                   | 4        | 1.700           | 43.18       | 0.900           | 22.86       | 0.700              | 17.78          | 0.050              | 1.27           | 1.830           | 46.48       | 1.200              | 30.48          |
| PT750-2050-VM  | 750                                      | 0.150           | 6.4                   | 4        | 2.050           | 52.07       | 0.900           | 22.86       | 0.700              | 17.78          | 0.050              | 1.27           | 2.180           | 55.37       | 1.200              | 30.48          |
| PT1000-1400-VM | 1000                                     | 0.620           | 1.8                   | 4        | 1.400           | 35.56       | 0.800           | 20.32       | 0.600              | 15.24          | 0.050              | 1.27           | 1.530           | 38.86       | 0.900              | 22.86          |
| PT1000-1750-VM | 1000                                     | 0.420           | 3.1                   | 4        | 1.750           | 44.45       | 0.900           | 22.86       | 0.700              | 17.78          | 0.050              | 1.27           | 1.980           | 50.29       | 1.200              | 30.48          |
| PT1000-2050-VM | 1000                                     | 0.200           | 5.9                   | 4        | 2.050           | 52.07       | 0.900           | 22.86       | 0.700              | 17.78          | 0.050              | 1.27           | 2.180           | 55.37       | 1.200              | 30.48          |

POWER INDUCTORS

Figure 3: 2-Lead Vertical Base Mount

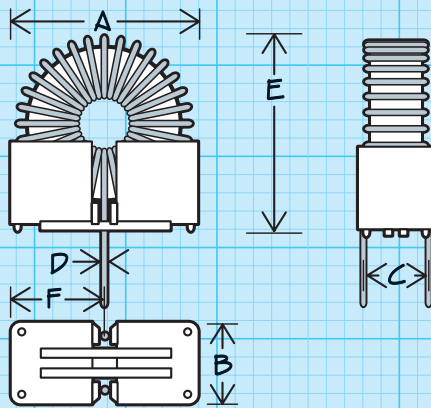
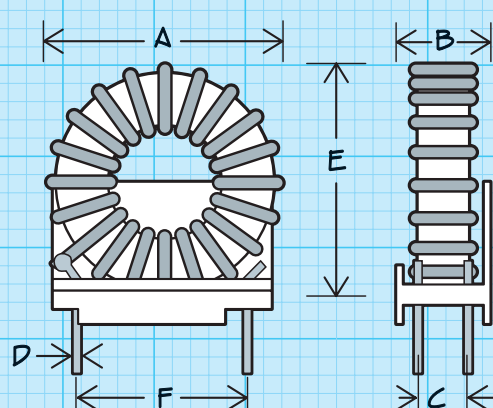
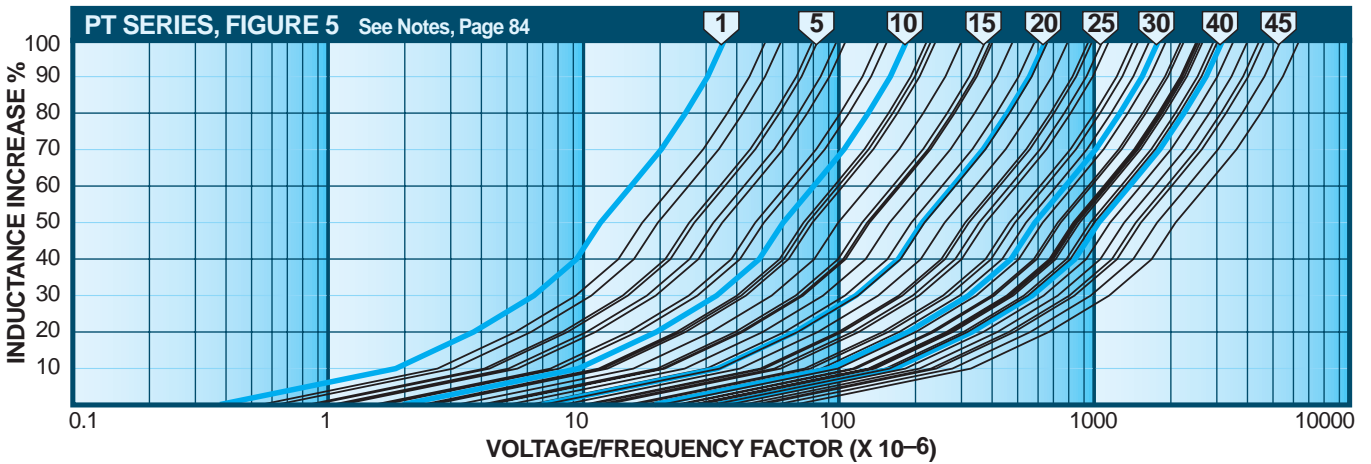


Figure 4: 4-Lead Vertical Base Mount



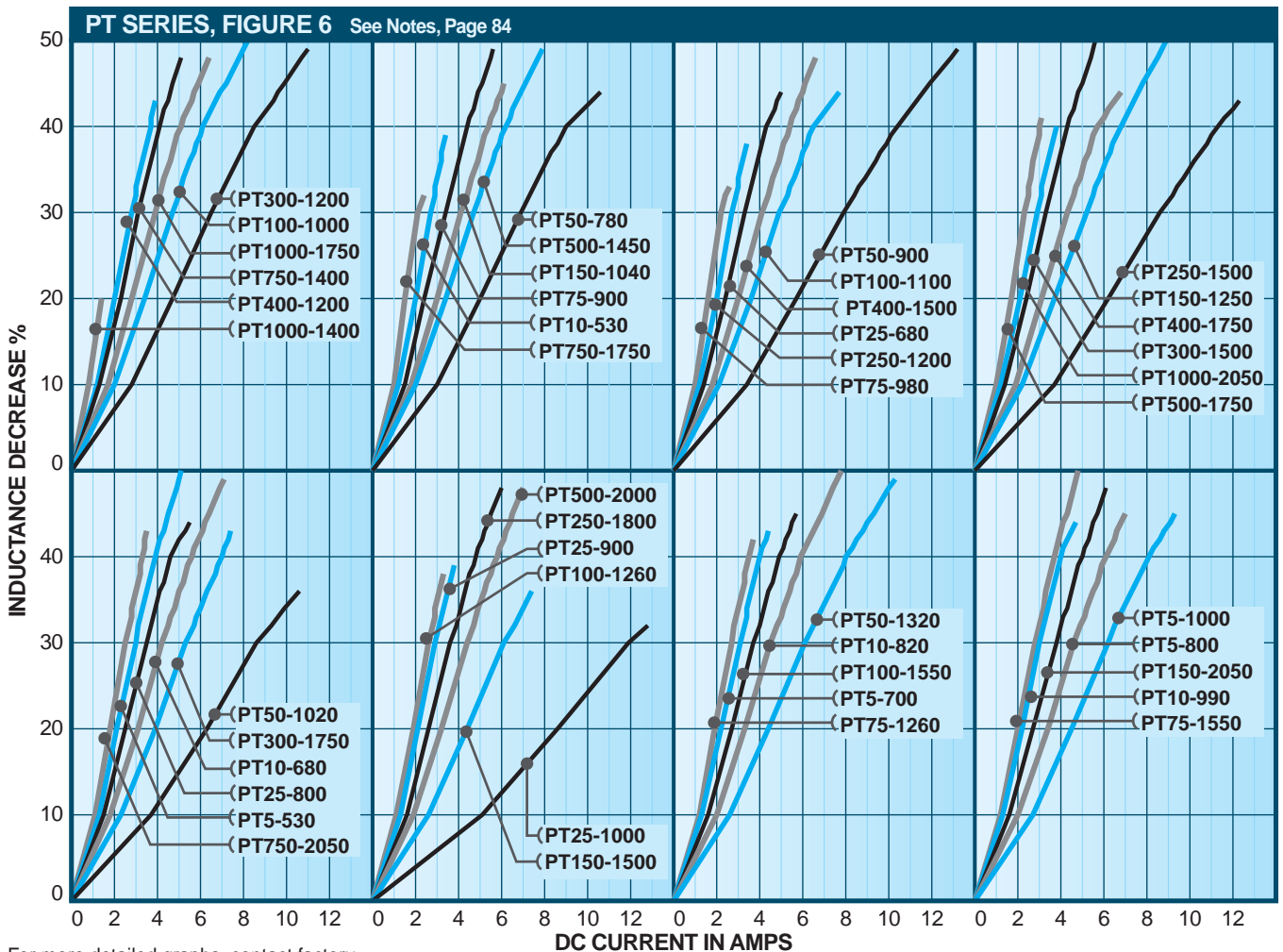
www.DataSheet4U.com **PT Series Power Toroids –**  
**Horizontal or Vertical Mount**

**POWER INDUCTORS**



**KEY TO FIGURE 5 CURVE NUMBERS** Graphs apply to all mounting styles. For more detailed graphs, contact factory.

- |             |               |                |                |                |                |                 |                 |
|-------------|---------------|----------------|----------------|----------------|----------------|-----------------|-----------------|
| 1) PT5-530  | 7) PT10-820   | 13) PT50-780   | 19) PT100-1100 | 25) PT100-1550 | 31) PT400-1200 | 37) PT500-1450  | 43) PT500-2000  |
| 2) PT10-530 | 8) PT10-990   | 14) PT50-900   | 20) PT50-1320  | 26) PT150-1250 | 32) PT300-1500 | 38) PT400-1750  | 44) PT1000-1750 |
| 3) PT5-700  | 9) PT25-680   | 15) PT75-900   | 21) PT150-1040 | 27) PT150-1500 | 33) PT400-1500 | 39) PT750-1400  | 45) PT750-2050  |
| 4) PT5-800  | 10) PT25-800  | 16) PT75-980   | 22) PT75-1260  | 28) PT250-1200 | 34) PT250-1800 | 40) PT500-1750  | 46) PT1000-2050 |
| 5) PT10-680 | 11) PT25-900  | 17) PT50-1020  | 23) PT100-1260 | 29) PT300-1200 | 35) PT150-2050 | 41) PT1000-1400 |                 |
| 6) PT5-1000 | 12) PT25-1000 | 18) PT100-1000 | 24) PT75-1550  | 30) PT250-1500 | 36) PT300-1750 | 42) PT750-1750  |                 |



For more detailed graphs, contact factory